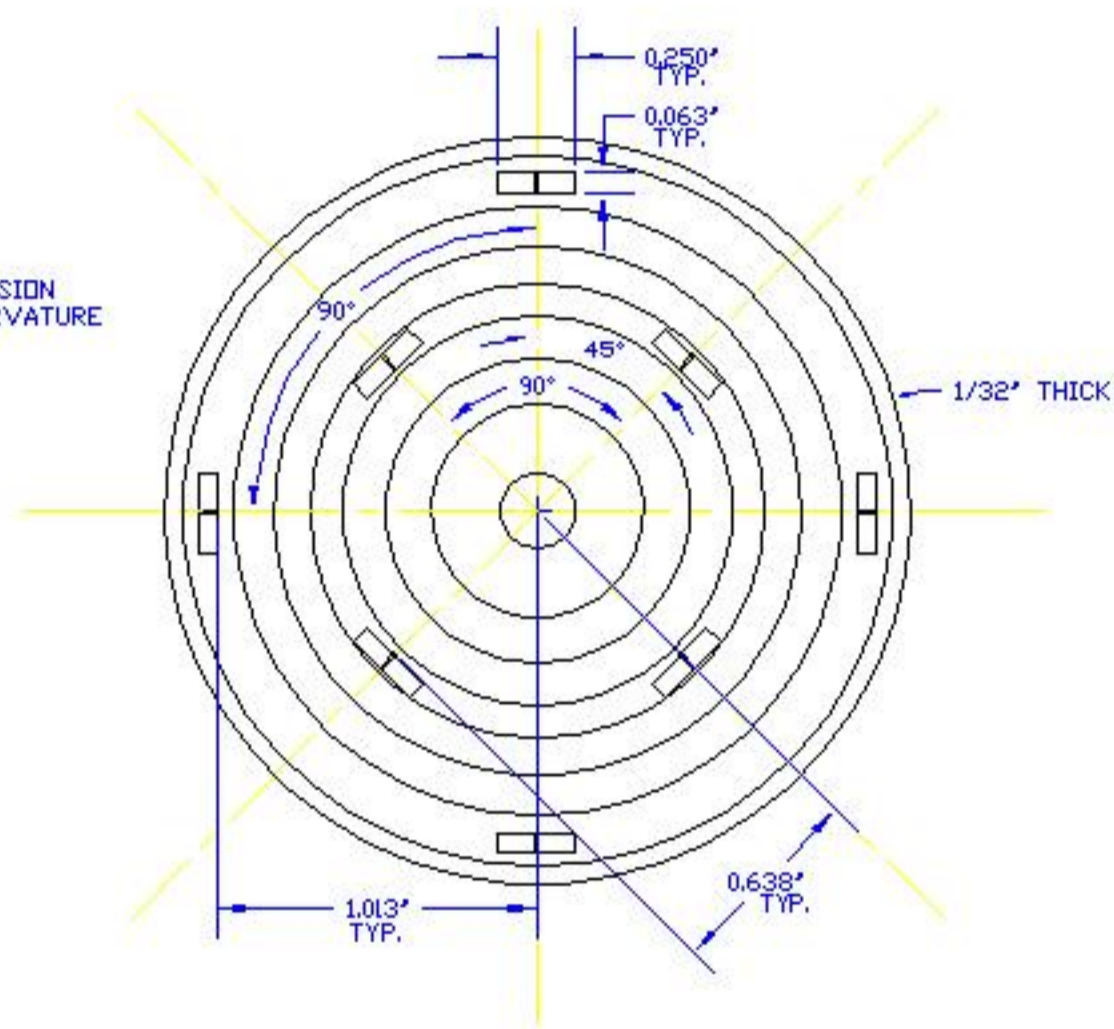


FRONT SIDE - 2X SIZE



BACK SIDE - 2X SIZE

MAT'L:

GALVANIZED CARBON STEEL

TOLERANCE UNLESS SPECIFIED:

2 PLACE DECIMAL = .010  
 3 PLACE DECIMAL = .002  
 4 PLACE DECIMAL = .0005  
 ANGULAR = 0'-10'

NILES FENCE & SECURITY PRODUCTS, LLC  
 NILES, OHIO

2.376" DIA. "SECUREX" CLIP

STARTED	7/18/06	COMPLETED	7/18/06	AUTHORITY	
DRAWN BY	D. GARTHWAITE	PRINT ISSUED		DRAWING NO.	
CHECKED BY	M. DEZAVIGNY				
APPROVED BY	M. PADRUSA				38-SC-2
SCALE	2X ACTUAL SIZE				